



IRIS075 Low Profile IR Camera

Iris Innovations takes on board camera styling in a completely new direction with the new IRIS075.

With its unique scallop shape we've kept the profile of the camera as low as possible so as not to detract from the lines and curves of your boat.

With 700TVL, the IRIS075 has a higher resolution than most fixed boat cameras and its second generation infra red illuminator provides around 30 feet of visibility at night or in low light conditions.

The IRIS075 is a perfect solution as a docking camera, engine room camera, back up camera and as part of an on board security system. Its low profile also make it perfect for surveillance along walkways which increases safety whilst at sea.

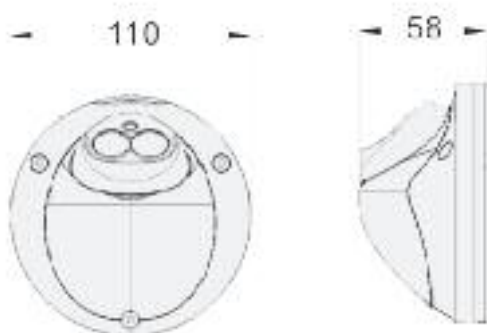
The housing itself is built from rugged cast and anodised aluminium and finished with a high gloss protective white powder coating. IP66 water-proofing is guarantee'd and stainless steel fixing come as standard.

Key Features:

- Unique Low Profile 'Seashell' Design
- Water-Proof IP66
- High Resolution 700TVL
- Day / Night (Colour / Mono) Automatic Operation
- Infra-Red Illumination (Up To 80ft)
- Compact and Rugged Housing
- Easy Installation
- Compatible with all Leading MFD's with Composite Video Input

Typical Applications:

- Docking Camera
- Back-Up Camera
- Walk-way Monitoring
- Security Camera



MANUFACTURERS OF
MARINE CAMERA SYSTEMS
SINCE 2002

marine camera systems

www.boat-cameras.com

MANUFACTURERS OF
MARINE CAMERA SYSTEMS
SINCE 2002

Compatibility & Requirements

Composite Video Option - All major chart plotters with composite video inpts, TV's with AV inputs & Dedicated video monitors.

IP Web Servers / Digital Video Servers with Embedded Web Servers.

IRIS Video Switchers, Quad Switchers and Video Matrix Systems.

Specification Table

Sensor	1/3" SONY EX VIEW CCD
Horizontal Resolution	700 TVL
Min Illumination	0.5lux @ F1.2(Colour) (0lux IR LED On)
Day / Night	True Day / Night with ICR Filter
Lens / Field of View	3.6mm Fixed
IR LED	1pc High Powered Super Flux 850nm /
IR Distance	25 Meters / 80 Feet
Video Output	1.0V P~P 75ohm BNC Connector
Electronic Shutter	Auto. PAL 1/50s ~ 1/10,000s : NTSC 1/60s ~ 1/10,000s
Gamma Characteristics	0.45
S/N Ratio	More than 50dB
Scanning Area	4.9mm(H) x 3.7mm(V)
Gain Control	Automatic
Day / Night Operation	Full Colour (Day) / Monochrome (Night)
Back Light Compensation	Auto
Synchronization	Internal
Power Supply	DC12V ±10%
Power Consumption	90mA / 280mA with IR LED Operation
Operating Temperature	-20 Degrees / +50 Degrees
Dimensions	110mm Diameter x 58mm
Weight	0.5KG)

Product Images



Dealer Information

Iris Innovations Limited

Units 8 & 9 Swanwick Business Centre. Bridge Road, Swanwick. Hampshire SO31 7GB. United Kingdom.

Tel: +44(0)1489 57079

US Office:

1535 SE17th Street, Suite B115, Fort Lauderdale, Florida 33316.

Tel: 001 954 933 8951

email: info@boat-cameras.com

web: www.boat-cameras.com