

Key Features:

- Available in IP or Analogue (CVBS, TVI, CVI, AHD) Formats
- Machined from 316 Marine Grade Stainless Steel or Aluminium
- 3MP HD Resolution (IP Models)
- 2MP HD Resolution (Analogue Model (TVI, CVI or AHD mode))
- SD Analogue (CVBS) format 1000TVL Resolution
- Compatible with Raymarine / Axiom (LH2 and Higher)
- Compatible with Furuno TZT / TimeZero 4.1
- Compatible with Navico MFD's inc. SIMRAD, Lowrance and B&G
- Compatible with CMAC for use with Garmin MFD's
- Built In Infra Red LED Illumination (8m Range)
- PoE Option (IRISS460 IP Model)
- Use Above or Below Water Level
- IP68 Environmental Protection

Applications:

- Work Boat & Commercial Shipping
- Luxury Motor Yachts
- Fishing & Sports Fishing
- Ferry Boats & Passenger Vessels
- Law Enforcement & Emergency Services
- Rapid Deployment Applications
- Vehicle & Transport Applications

Looking for a discrete backup or tender watch camera, covert security camera or through hull/through transom camera? Look no further - the IRIS-S435 (IP) / S1435 (Analogue / Analogue HD) compact bullet style camera is what you need.

Available in marine grade 316L stainless steel or anodised aluminium, the S435/S1435 is available as an IP camera (IRIS-S435) based on our best selling S460 camera engine and also in analogue/analogue HD formats (IRIS-S1435).

The camera features built in infra red LED illumination for close range (10m) visibility in the dark, and is supplied with 60° wedge adapters to enable you to angle the camera if necessary.

The IP version of the camera (IRIS435) is directly compatible with Raymarine, Navico (Simrad, B&G, Lowrance) and Furuno chart plotters. Compatibility with Garmin MFD's is achieved in conjunction with our CMAC camera management system for boats.

The analogue/analogue HD version of the camera can interface with all chart plotters supporting composite video in CVBS mode, and when switched to any of the three analogue HD modes (AHD, TVI, CVI) interfaces either through our CMAC system or by using an Iris TVI~HDMI convertor to provide HD resolution in real time.

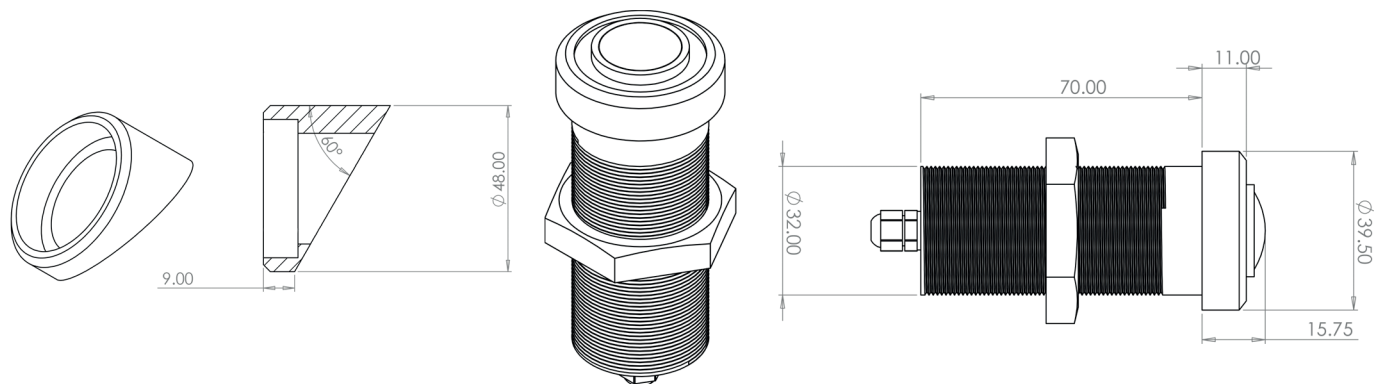
The camera can be supplied with 80°, 120° and 154° lens options and is ONVIF profile S compliant.

Finally, with an IP68 environmental rating, the camera can also be used below the water line to keep an eye on running gear, film your fishing adventures or even attached to a pole and used as an underwater inspection camera.

IRIS

IRIS-S435 / S1435

Multi-Purpose Recess Mounting Hi-Def Submersible Bullet Camera
for Above or Below Water



Camera Options:

Model No.	Format	Resolution	Lens	Horizontal Field of View
S060	Analogue	1000TVL	3.6mm Standard, 1.8mm & 2.8mm Option	3.6mm: 80° HFOV 2.8mm: 120° HFOV, 1.8mm 160° HFOV
S160	HD-TVI	1920 x 1080		
S435	IP	2304 x 1296		

	IRIS-S435	IRIS-S1435
Sensor	1/4" CMOS Sensor	1/3" Sony CCD Sensor
Resolution	Variable - 2048 x 1536 (3MP) Max	CVBS: 1000TVL / AHD, CVI, TVI: 1920x1080
Interface	RJ45 10/100 Base T Ethernet / Setup through Browser	On Screen Overlay
Video Processing	H.264 / H.265 Codec / Dual Stream (Main / Substream) 3 Instances Max	1VP-P CVBS Composite Video 75Ω / HD-TVI / HD-CVI / AHD Switchable
Protocols / Video Format	TCP/UDP/HTTP/Multicast/UPnP/NTP/RTSP/ONVIF	CVBS (PAL / NTSC) HD-TVI / HD-CVI / AHD
Onvif	Profile S v2.4	NA
Bitrate	VBR / CBR 32kbps ~ 8Mbps	NA
Illumination	6 x 850nm Infra Red - 10 meter Range / Available with White LED Illumination on Request	
Lens / Field of View	3.6mm (80° HFOV) / 2.8mm (120° HFOV) / 1.8mm Wide Angle (154° HFOV)	
Mirroring	Horizontal & Vertical - Configure via Browser Interface	Horizontal & Vertical - Configure via OSD Menu
Automatic Gain Control		
Compatibility	Raymarine / Axiom (LH2 or higher), NAVICO MFD's inc SIMRAD / LOWRANCE, B&G, Furuno Timezero v4.1 and higher. PC based systems, MFD's with digital (HDMI / DVI) Input, MFD's via IRIS NVR/HVR, IE Browser, CMAC systems, Garmin when used with CMAC Systems	MFD's with Digital (HDMI/DVI) Input with TVI-HDMI Converter, MFD's via IRIS NVR/HVR, CMAC Camera Management Systems. All MFD's with Composite Video Input, TV via AV Input, CMAC Camera Management Systems
Operating Temperature	-30 ~ +60 °C	
Connections	Water Resistant RJ45 Socket (Field Installable Backshell Supplied) / Non PoE with 2.5mm DC Power Socket	Video: 75Ω BNC Female Connector / Power: 2.5mm Standard DC Socket Connector
Material	316L Marine Grade Stainless Steel / Aluminium Option Available	
Power	PoE IEEE802.3af / 12VDC <200mA Max.	12VDC <200mA Max.
Weight & Dimensions	0.XXKG (Stainless) / 0.XXKG (Aluminium ~ 40mmø x 86mm Length (27mm Above Panel)	
Environmental	IP68	