

Sentinel: IRIS-S118/S418

Professional Visible Spectrum PTZ Cameras for Extreme Environments



S118

Analogue Format

Designed to withstand the harshest conditions Iris Sentinel cameras are made from machined and cast aluminium body sections which are anodised and powder coated for maximum protection.

Featuring new high spec oil seals and improved stepper motors, our Sentinel cameras move quickly and smoothly with great accuracy.

The IRIS-S118 Sentinel PTZ houses a Sony block camera module with 580TVL analogue resolution, 30x Optical and 12x Digital zoom, auto and manual focus and a host of other features expected from a high end imager. An array of 4 high power second generation infra red LED's provide auto/manual illumination in low light to a range of around 150ft.

As with all Sentinel cameras, the IRIS-S118 is water resistant to IP66 and features a heater and anti-fogging facility. Connection to the camera is via a single umbilical cable that plugs into the centre of the base plate for easy installation.

IRIS-S118 cameras output analogue video and are directly compatible with all chart plotters that feature a composite video input. They can also be plugged into a CCTV monitor or into a TV via an AV input.

The camera is controlled via two wire RS485 serial data using Pelco-D control protocols. The camera is supported by our range of CMAC, IRIS595 and IRIS-TE01 controllers.

The IRIS-S118 is perfect as part of an on board security system and as a tool to enhance situational awareness, whether deployed on a vessel at sea or used on a land vehicle such as fire and police vehicles, safari and animal management trucks or simply just as an aid to guide you through the night in unlit areas.

S418

IP Format

The IRIS-S418 Sentinel PTZ features our highly spec'd network sensor supporting multiple streams, max resolution of 2MP, variable bit rates and resolutions, 30x Optical and 10x Digital zoom, ONVIF compliance, RTSP streaming and many more features you'd expect from a high end network camera module.

As with the S118, an array of 4 high power second generation infra red LED's provide auto/manual illumination in low light to a range of around 150ft.

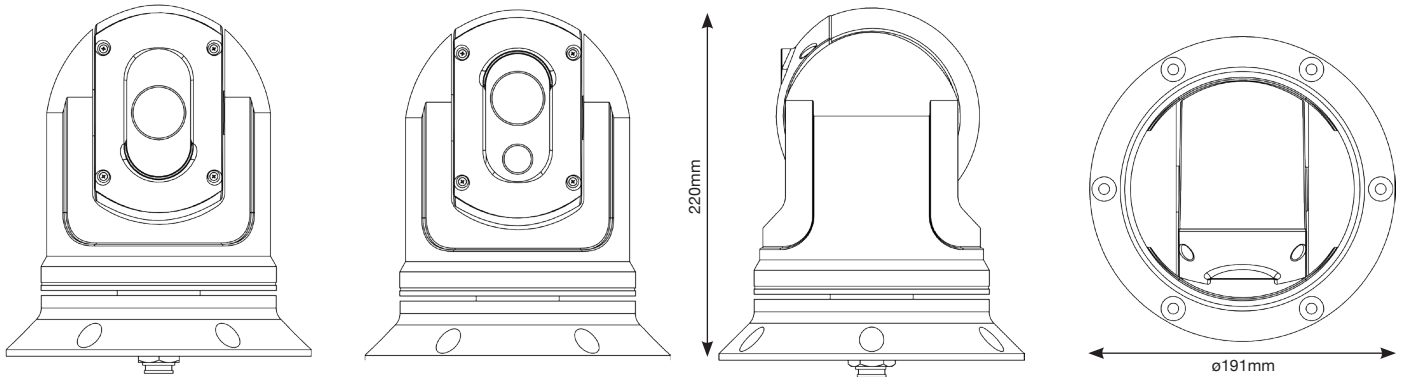
As with all Sentinel cameras, the IRIS-S418 is water resistant to IP66 and features a heater and anti-fogging facility. Connection to the camera is via a single umbilical cable that plugs into the centre of the base plate for easy installation.

As well as control over ethernet, the camera can also be controlled via two wire RS485 serial data using Pelco-D control protocols. The camera is supported by our IRIS595 and IRIS-TE01 controllers and can be accessed via Iris HVR recorders and gateways and also via a web browser (IE). Video from the S418 can also be accessed from a Raymarine / Axiom MFD running LH2 and higher. S418 is also compatible with our CMAC systems.

The IRIS-S418 is perfect as part of an on board security system and as a tool to enhance situational awareness, whether deployed on a vessel at sea or used on a land vehicle such as fire and police vehicles, safari and animal management trucks or simply just as an aid to guide you through the night in unlit areas.



Camera Options:



Model No.	Payload 1	Resolution	Lens	Zoom	Payload 2	Resolution	Lens	Zoom	Illumination
S-118	Analogue	550TVL	3.4 ~ 122.4mm 57.8° Wide / 1.7° Tele	30x Optical / 12x Digital	NA	NA	NA	NA	IR Cut Filter / Range = 50 Meters
S-418	Network IP	2.0 Megapixel	4.5mm ~ 135mm	30x Optical / 10x Digital	NA	NA	NA	NA	IR Cut Filter / Range = 50 Meters
S-290	Thermal (Analogue) Vox Microbolometer, 12µm, 30Hz, <50mk	384 x 288	19mm 19.5°H x 14.7°V	4x Digital (stepped)	NA	NA	NA	NA	Not Required
S-390	Thermal (Analogue) Vox Microbolometer, 12µm, 30Hz, <50mk	640 x 512	25mm 24.6°H x 18.5°V	4x Digital (stepped)	NA	NA	NA	NA	Not Required
S-295	Thermal (Analogue) Vox Microbolometer, 12µm, 30Hz, <50mk	384 x 288	20mm 18°H x 14°V	4x Digital (stepped)	Analogue	800 TVL	5 ~ 50mm	10x Digital / 10x Optical	Not Required
S-395	Thermal (Analogue) Vox Microbolometer, 12µm, 30Hz, <50mk	640 x 512	20mm 18°H x 14°V	4x Digital (stepped)	Analogue	800 TVL	5 ~ 50mm	10x Digital / 10x Optical	Not Required
S-C295	Analogue Day Module	800 TVL	8mm	4x Digital (stepped)	Thermal (as S-295)	384 x 288	19mm	4x Digital (stepped)	Not Required
S-C395	Analogue Day Module	800 TVL	8mm	4x Digital (stepped)	Thermal (as S-395)	640 x 512	19mm	4x Digital (stepped)	Not Required

Analogue Specs:

Note: For Gyro Stabilised Option Add Suffix 'G' to Part Number

Pan Details	Continuous Rotation 0~360° 0.5°/s ~ 80°/s
Tilt Details	-25° ~ +90° (Auto Reverse) 0.5° ~ 60°/s
Video Format	1V P~P Composite Analogue Video 75Ω - PAL / NTSC
Presets / Patrols & Patterns	100 Presets, 6 Patrols (up to 18 presets each), 4 Patterns
Communications Interface	RS485 Serial Data
Protocols	Pelco D, Iris Variant, 9600 Baud
Power	+12VDC / +24VDC. Max Consumption 36W (LED's ON)
Weight	3KG
Operating Temperature	-50°C ~ +65°C / Humidity: 10% ~ 95% RH
Environmental	IP66 / TVS 4000V Overvoltage / Lightning Protection / Shock & Vibration MIL STD 810E

IP Model Specs:

Pan Details	Continuous Rotation 0~360° 0.5°/s ~ 80°/s
Tilt Details	-25° ~ +90° (Auto Reverse) 0.5° ~ 60°/s
Video Compression	H.265 / H.264
Frame Rate	Main: 2MP - Max 30fps; Sub: 2MP - 30fps; Third: D1 - 30fps
Communications Interface	1RJ45 10M/100M Base-TX Ethernet (Additional RS485 Serial Data Connection - Pelco D / Iris Variant)
Protocols	ONVIF2.4, L2TP, IPv4, IGMP, ICMP, ARP, TCP, UDP, DHCP, PPPoE, RTP, RTSP, DNS, DDNS, NTP, FTP, UPnP, HTTP, SNMP, SIP
Power	+12VDC / +24VDC. Max Consumption 36W (LED's ON)
Weight	3KG
Operating Temperature	-50°C ~ +65°C / Humidity: 10% ~ 95% RH
Environmental	IP67 / TVS 4000V Overvoltage / Lightning Protection / Shock & Vibration MIL STD 810E