

# IRIS

# IRIS-SX60

## 316 Marine Grade Stainless Steel Static Dome Camera



### Key Features:

- Available in multiple formats to suit your requirements
- Machined from 316 Marine Grade Stainless Steel.
- Available in Brushed (standard), High Polish or Custom Painted Finish\*
- High Definition 1920 x 1080 Resolution (Digital Models)
- High Resolution 1000 TVL (Analogue Model)
- Built In Infra Red LED Illumination (10m Range)
- PoE Option (IRISS460 IP Model)
- Extremely Low Power Consumption
- IP66 Environmental Protection

### Applications:

- Work Boat & Commercial Shipping
- Luxury Motor Yachts
- Fishing & Sports Fishing
- Ferry Boats & Passenger Vessels
- Law Enforcement & Emergency Services
- Rapid Deployment Applications
- Vehicle & Transport Applications

Iris's SX60 range of miniature marine grade stainless steel cameras are available in multiple formats and deliver the highest quality video and to suit your application.

The range comprises a high resolution analogue solution designed for maximum compatibility with most marine chart plotters (IRISS060), a high definition TVI model which delivers 1920x1080 resolution in real time† (IRISS160) and a high definition 2MP IP camera which is directly compatible with Raymarine chart plotters (running LH2 / LH3 software).

The SX60's 316 stainless steel housing provides the ultimate protection in the harsh marine environment, and is therefore the perfect solution for deck monitoring aboard work boats, fishing vessels and passenger vessels, whilst fitting in equally as well with the high end aesthetic of luxury vessels and mega yachts.

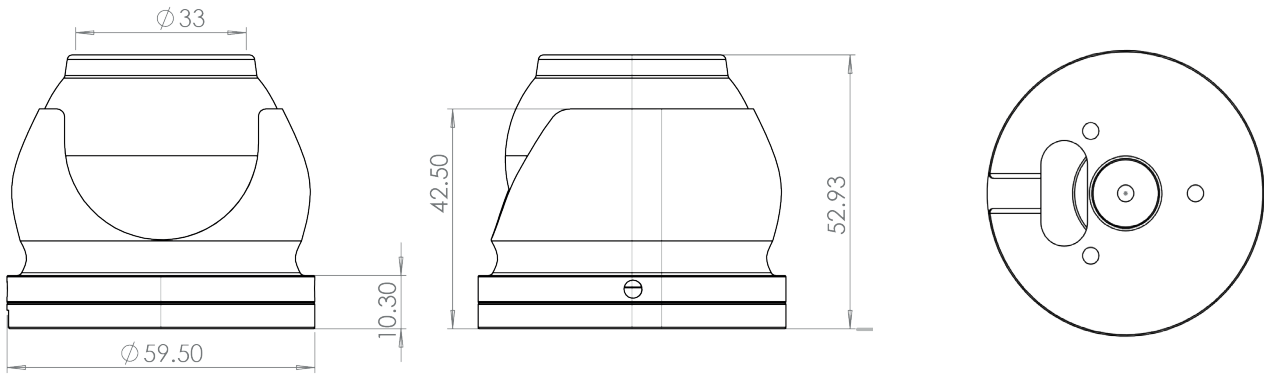
Measuring only 58mm high by 60mm in diameter, the SX60 range is small enough to provide unobtrusive surveillance and also for use in areas where space is tight, such as engine rooms or anchor wells.

Whether you need a high quality and rugged camera as part of your on board surveillance system, for engine room, deck and companion way monitoring or as a robust and stylish docking or backup camera, the IRIS-SX60 range of cameras is the perfect solution



\* Non Standard Finishes may incur additional costs

† May Require Additional Converter Hardware Depending on Model Of MFD



### Camera Options:

Model No.	Format	Resolution	Lens	Horizontal Field of View
S060	Analogue	1000TVL	3.6mm Standard 2.8mm Option	3.6mm: 80° HFOV 2.8mm: 120° HFOV
S160	HD-TVI	1920 x 1080	3.6mm Standard 2.8mm Option	3.6mm: 80° HFOV 2.8mm: 120° HFOV
S460	IP	1920 x 1080	3.6mm Standard 2.8mm Option	3.6mm: 80° HFOV 2.8mm: 120° HFOV

### Specifications:

	IRIS-S060	IRIS-S160	IRIS-S460
Sensor	1/3" Sony CCD Sensor		1/4" CMOS Sensor
Resolution	1000 TVL	1920x1080	Variable - 1920x1080P (2MP) Max
Interface	NA		RJ45 10/100 Base T Ethernet
Video Processing	1VP-P CVBS Composite Video 75Ω	HD-TVI / HD-CVI / AHD Switchable	H.264 Codec / Dual Stream
Protocols / Video Format	PAL / NTSC Selectable	HD-TVI / HD-CVI / AHD	TCP/UDP/HTTP/Multicast/UPnP/NTP/RTSP/ONVIF
Onvif	NA		Profile S v2.4
Bitrate	NA		VBR / CBR 32kbps ~ 8Mbps
Illumination	6 x 850nm Infra Red - 10 meter Range		
Lens / Field of View	3.6mm Standard (80° HFOV) / 2.8mm Option		
Mirroring	Horizontal & Vertical - Configure via OSD Menu		Horizontal & Vertical - Configure via Browser
Automatic Gain Control	Supported / Multiple Levels		
Compatibility	All MFD's with Composite Video Input, TV via AV Input	MFD's with Digital (HDMI/DVI) Input with TVI-HDMI Converter, MFD's via IRIS NVR/HVR	Raymarine / Axiom (LH2 or higher), PC based systems, MFD's with digital (HDMI / DVI) Input, MFD's via IRIS NVR/HVR, IE Browser
Operating Temperature	-30 ~ +60 °C		
Connections	Video: BNC 75Ω Female Connector / DC Power Socket		Water Resistant RJ45 Socket / Non PoE with DC Power Socket
Material	316 Stainless Steel		
Power	12VDC < 200mA Max.		PoE IEEE802.3af / 12VDC <200mA Max.
Weight & Dimensions	0.420Kg / 59.5mm ø x 52.93mm H		
Environmental	IP66		