

# IRIS

# IRIS-S460

## 316 Marine Grade Stainless Steel Static Dome Camera



### Key Features:

- 316 Marine Grade Stainless Steel Case
- Available in Brushed (standard), High Polish or Custom Painted Finish\*
- 3MP Max Resolution
- 3 x Lens Options (3.6mm / 2.8mm / 1.8mm)
- Compatible with Raymarine / Simrad / B&G / Lowrance
- Built In Infra Red LED Illumination (10m Range)
- PoE Option
- Extremely Low Power Consumption
- IP66 Environmental Protection

### Applications:

- Work Boat & Commercial Shipping
- Luxury Motor Yachts
- Fishing & Sports Fishing
- Ferry Boats & Passenger Vessels
- Law Enforcement & Emergency Services
- Rapid Deployment Applications
- Vehicle & Transport Applications

Introducing the IRIS-S460 general purpose static marine IP camera from Iris Innovations, a compact and stylish high definition network camera designed to fulfill your on board monitoring and surveillance requirements.

The S460's 316 stainless steel housing provides the ultimate protection in the harsh marine environment, and is therefore the perfect solution for deck monitoring aboard work boats, fishing vessels and passenger vessels, whilst fitting in equally as well with the high end aesthetic of luxury vessels and mega yachts.

The camera's sensor operates in near darkness to provide up to 3MP high definition video, with a built in IR-Cut filter and Infra Red LED illuminators which switch on automatically at night providing near field visibility in total darkness.

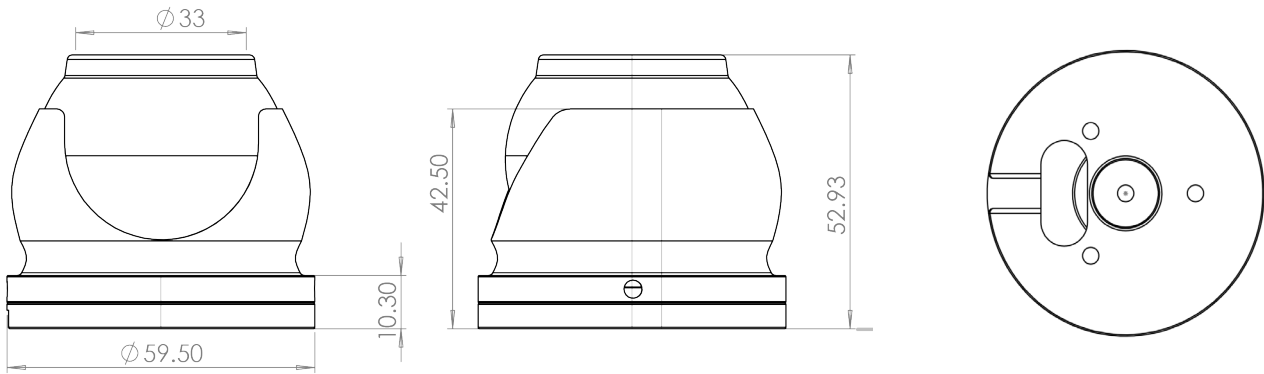
Measuring only 58mm high by 60mm in diameter, the SX60 range is small enough to provide unobtrusive surveillance and also for use in areas where space is tight, such as engine rooms or anchor wells.

Whether you need a high quality and rugged camera as part of your on board surveillance system, for engine room, deck and companion way monitoring or as a robust and stylish docking or backup camera, the IRIS-S460 camera is the perfect solution



\* Non Standard Finishes may incur additional costs

† May Require Additional Converter Hardware Depending on Model Of MFD



### Specifications:

IRIS-S460	
Sensor	1/4" CMOS Sensor
Resolution	Variable - 2304 x 1296 (3MP) Max
Interface	RJ45 10/100 Base T Ethernet
Video Processing	H.264 Codec / Dual Stream
Protocols / Video Format	TCP/UDP/HTTP/Multicast/UPnP/NTP/RTSP/ONVIF
Onvif	Profile S v2.4
Bitrate	VBR / CBR 32kbps ~ 8Mbps
Illumination	6 x 850nm Infra Red - 10 meter Range
Lens / Field of View	3.6mm Standard (80° HFOV) / 2.8mm Option (120° HFOV / 1.8mm Option (160° HFOV)
Mirroring	Horizontal & Vertical - Configure via Browser
Automatic Gain Control	Supported / Multiple Levels
Compatibility	Raymarine / Axiom (LH2 or higher), Simrad / B&G / Lowrance (Latest NOS / NEON OS) / PC based systems, MFD's with digital (HDMI / DVI) Input, MFD's via IRIS NVR/HVR, IE Browser
Operating Temperature	-30 ~ +60 °C
Connections	Water Resistant RJ45 Socket / Non PoE with DC Power Socket
Material	316 Stainless Steel
Operating Voltage	DC12V $\pm 25\%$
Power Consumption	1W Nominal @ DC12V (1.8W MAX (LEDS ON))
Power over Ethernet (PoE)	IEEE802.3af
Weight & Dimensions	0.420Kg / 59.5mm $\phi$ x 52.93mm H
Environmental	IEC 60529: 1989 + A1: 1999 + A2: 2013 IPX6
Vibration	EN 60945: 2002 Section 8.7
EMC	EN55032:2015/A11:2020 & EN55035:2017/A11:2020 EN60945 Sections 9 & 10 (Radiated & Conducted Emissions) / PoE with Compliant PoE Injector
RoHS	EN6300:2018