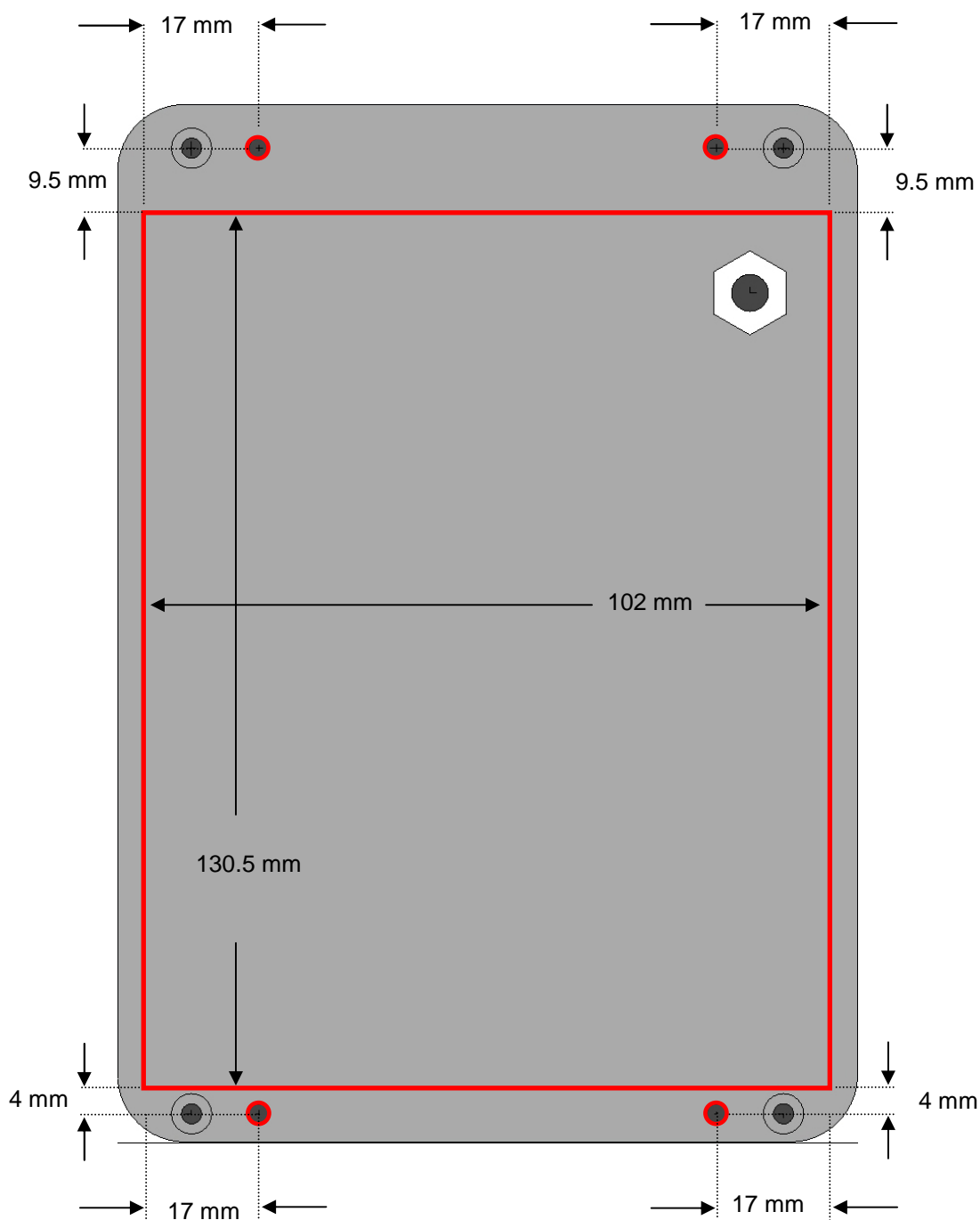


The IRIS516 is designed to be panel mounted into a suitable dashboard or helm.



Fixing Points:

The 516 Controller is mounted using the supplied M3 machine screws.

Please use the red-marked areas on the template above as a guide to aid installation on to the helm or console, using suitable cutting tools and a 3.5mm drill bit for the mounting hole.