



Key Features:

- Available in multiple formats to suit your requirements: CVBS / AHD/TVI / IP
- Machined from 316 Marine Grade Stainless Steel.
- Available in Brushed (standard), High Polish or Custom Painted Finish*
- High Definition 1920 x 1080 Resolution (Digital Models)
- High Resolution 1000 TVL (Analogue Model)
- Built In Infra Red LED Illumination (30m Range)
- PoE Option (IRISS485 IP Model)
- Extremely Low Power Consumption
- IP66 Environmental Protection

Applications:

- Work Boat & Commercial Shipping
- Luxury Motor Yachts
- Fishing & Sports Fishing
- Ferry Boats & Passenger Vessels
- Law Enforcement & Emergency Services
- Rapid Deployment Applications
- Vehicle & Transport Applications

Iris's X85 range of vari-focal marine grade stainless steel cameras are available in multiple formats and deliver the highest quality video and to suit your application.

The range comprises a high resolution analogue solution designed for maximum compatibility with most marine chart plotters (IRIS085), a high definition TVI/AHD model which delivers 1920x1080 resolution in real time† (IRIS1085) and a high definition 2MP IP camera (IRIS485) which is directly compatible with Raymarine chart plotters (running LH2 / LH3 software).

The x85's 316 stainless steel housing provides the ultimate protection in the harsh marine environment, and is therefore the perfect solution for deck monitoring aboard work boats, fishing vessels and passenger vessels, whilst fitting in equally as well with the high end aesthetic of luxury vessels and mega yachts.

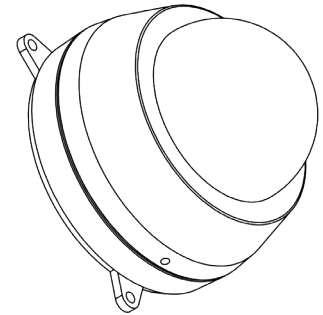
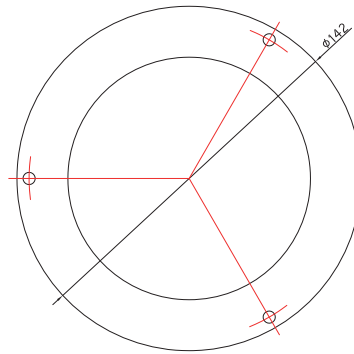
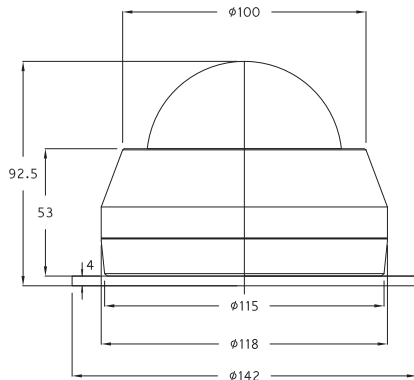
Each model is fitted with a manually adjustable vari-focal lens which can be set between 2.8mm (XX HFOV) and 12mm (XX HFOV) making the camera extremely versatile and equally useful in close range and longer range applications. High Power Infra Red LED's are built in to provide up to 30m visibility in the dark.

Measuring only 92.5mm high by 142mm in diameter, the x85 range is small enough to provide unobtrusive surveillance and also for use in areas where space is tight, such as engine rooms.

Whether you need a high quality and rugged camera as part of your on board surveillance system, for engine room, deck and companion way monitoring or as a robust and stylish docking or backup camera, the IRIS-SX60 range of cameras is the perfect solution

* Non Standard Finishes may incur additional costs

† May Require Additional Converter Hardware Depending on Model Of MFD / Screen



Camera Options:

Model No.	Payload 1	Resolution	Lens	Horizontal Field of View
IRIS085	Analogue	1000TVL	Vari-Focal 2.8mm~12mm	110° (Wide) to 22° (Tele)
IRIS1085	HD-TVI	1920 x 1080	Vari-Focal 2.8mm~12mm	110° (Wide) to 22° (Tele)
IRIS485	IP	1920 x 1080	Vari-Focal 2.8mm~12mm	110° (Wide) to 22° (Tele)

Specifications:

Camera Model	IRIS085	IRIS1085	IRIS485
Sensor	1/2.8" Sony Emor CMOS Sensor		1/3" Panasonic CMOS Sensor
Resolution	1280H NTSC / PAL	1080P@30FPS / 1080P@25FPS	1920x1080P Max / Multiple Resolution Options
Minimum Illumination	Colour Operation: 1.0 Lux / Monochrome: 0.5 Lux / IR LED ON = 0.00 Lux		
Lens	2.8mm ~ 12mm Vari-Focal - Manual Adjustment / DC Auto Iris		
Video Processing	NA		H.264 / MJPEG Dual Streaming Supported
Bitrate	NA		32Kbps ~ 12Mbps
Framerate	Max. 30fps @ 1920x1080P		
Illumination	24pcs 850nm Infra Red LED Illumination		
LAN Interface	NA		RJ45 - 10/100 Base T
Protocols	NA		HTTP, RTP/RTSP, TCP/IP, FTP, Telnet, RARP, PPPoE, SNMP, PAP, CHAP, DHCP, NTP, SMTP Client
ONVIF	NA		ONVIF Profile S2.4
Power Over Ethernet	NA		IEEE802.3af
Mirroring	Horizontal / Vertical Mirroring (through on-screen menu system)		
AGC	Supported: OFF / LOW / MID / HIGH		
Dynamic IP	NA	NA	DDNS / UPnP Supported
Motion Detection	Supported: ON/OFF 4 Zones		
Environmental	Tested to EN60529 IP66		
Material	Marine Grade 316 Stainless Steel		
Operating Temp.	-20 to +55°C / 10° to 85° Humidity		
MFD Compatibility	Compatible with all MFD's with Composite Video Inputs	Compatible with all MFD's featuring Hi-Def (HDMI / DVI) input via IRIS HVR System / HDMI †	Directly Compatible with Raymarine MFD's running LH2 and above operating system / IRIS HVR Systems
Power	12VDC±10%		IEEE802.3af PoE / 12VDC±10%
Weight & Dimensions	1.3KG / 92.5mm x 142mm Diameter		

* Non Standard Finishes may incur additional costs

† May Require Additional Converter Hardware Depending on Model Of MFD / Screen